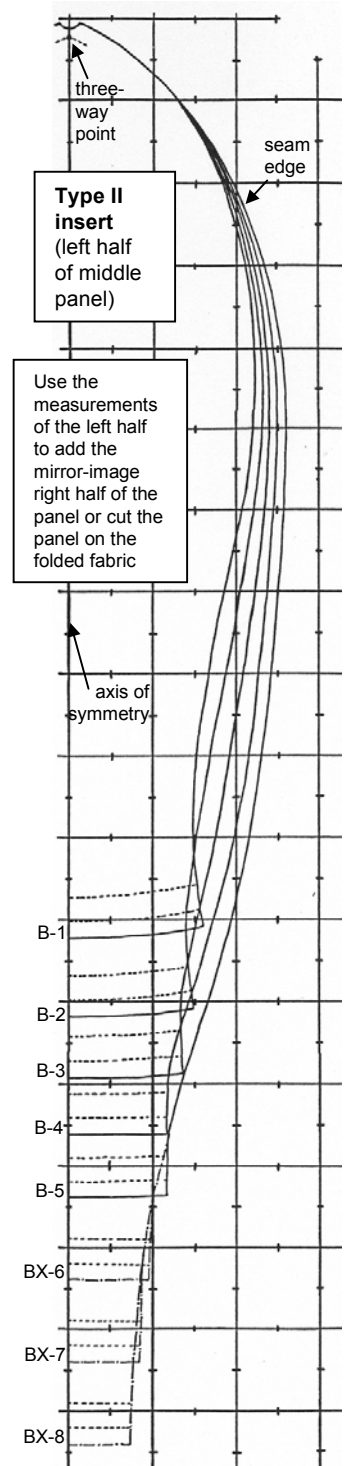
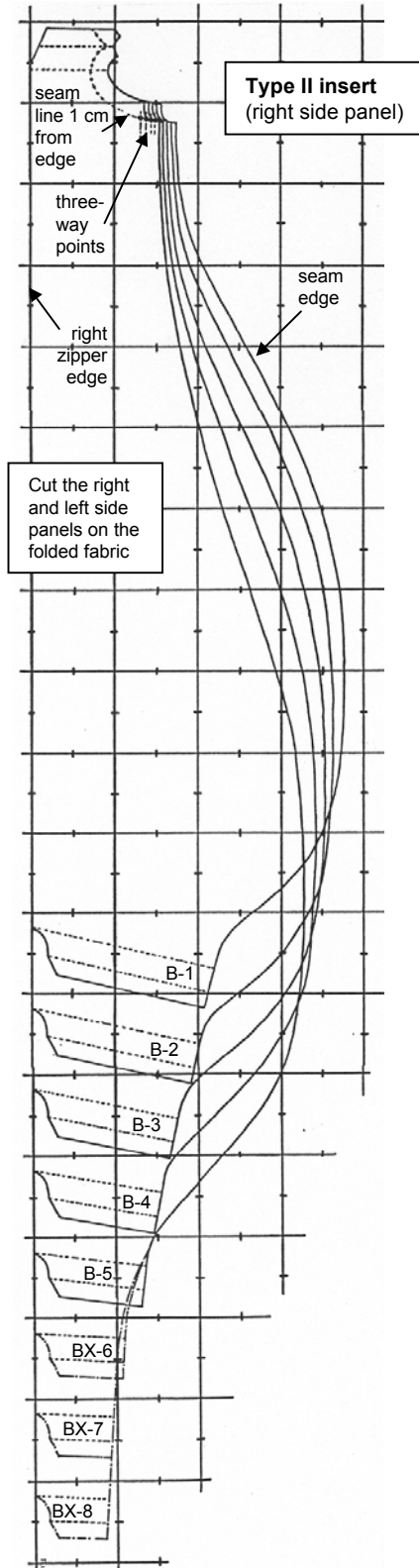
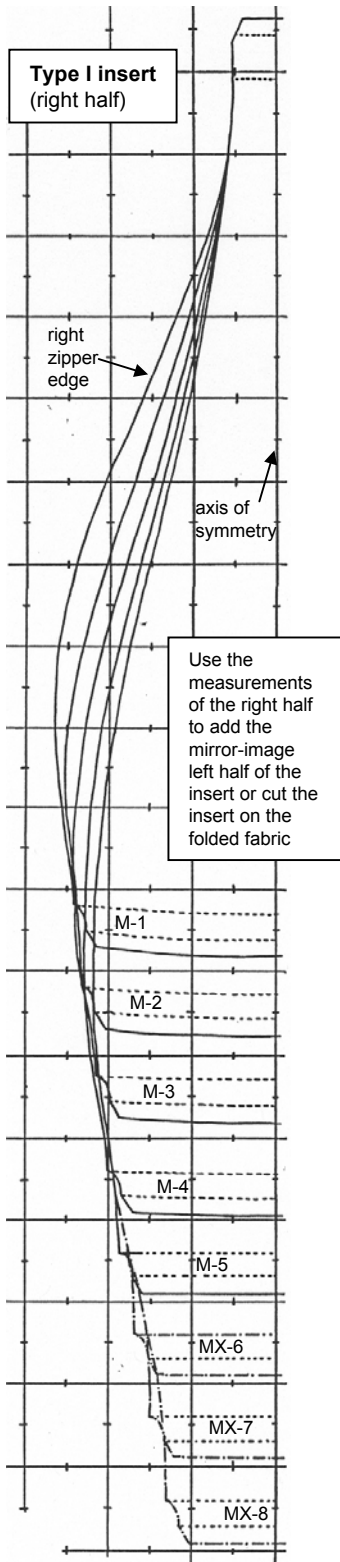


Appendix B: Scaled-down patterns for maternity fleece insert (Type I) and baby carrying fleece insert (Type II) 5 cm grid



Appendix C: Scaled-down pattern for WB insert (Type III) 5 cm grid

